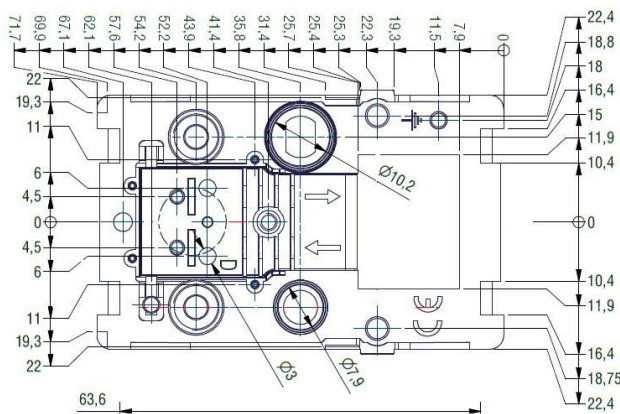


Product description

TD 242 E is a selective coaxial Multimedia wall outlet to use in interactive CATV-networks in the FUGA design. It is a loop through outlet, with a trunk that is filtered for Upstream (return path) signals. The OUT (trunk) signal is similar to the TV port.

- High isolation between TV and the DATA port (F-female) avoids interference produced from the modem operation.
- IN and OUT connection via Cable-clamp
- OUT connection filtered (258-1300 MHz)
- TV via IEC-male connector
- DATA via F-female connector
- Zinc die cast housing
- Unsymmetrical and selective coupling of upstream and downstream to the DATA port enables lowest insertion loss and zero intermodulation for the upstream signal
- Reliable SMD technology
- Shielding comply to Class A+ (Class A + 10dB) according to EN 60728-2 (5.5)

General Mechanical Dimensions (illustration TD XXX)



Photo

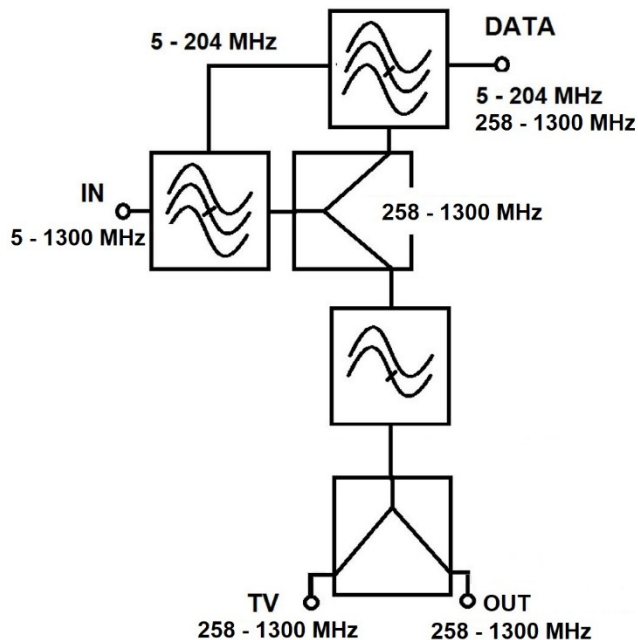


Created / Creator 07.04.2025 / JRO	Revision / Date 0.3 / 01.05.2025	Editor	Tested	
Description TD 242 E, 2-way MM Wall Outlet with filtered trunk			Item number 302588	Page 1 / 2

Performance specifications

Item		Frequency (MHz)	Typical	QC Limit
Insertion loss (dB)	IN-DATA	5-204	0,6	0.6 ± 0.6
		258-1006	4	4.0±1.2
		1006-1300	4,3	4.3±1.5
	IN-TV IN - OUT	258-265	7,8	7.8±1.0
		268-862	7,3	7.3±1.2
		862-1300	7,7	7.7±1.5
Isolation (dB)	TV-DATA OUT-DATA	5-204	45	≥40
		258-862	22	≥20
		862-1300	16	≥14
	TV-OUT	258-862	24	≥22
Return Loss (dB)	IN/DATA	5-204 & 258-1300	>14dB @47MHz -1.5dB/octave according to IEC 60728-4 §5.3.4.2	
	TV/OUT	258-1300		

Block schematic



Created / Creator 07.04.2025 / JRO	Revision / Date 0.3 / 01.05.2025	Editor	Tested	
Description TD 242 E, 2-way MM Wall Outlet with filtered trunk			Item number 302588	Page 2 / 2